

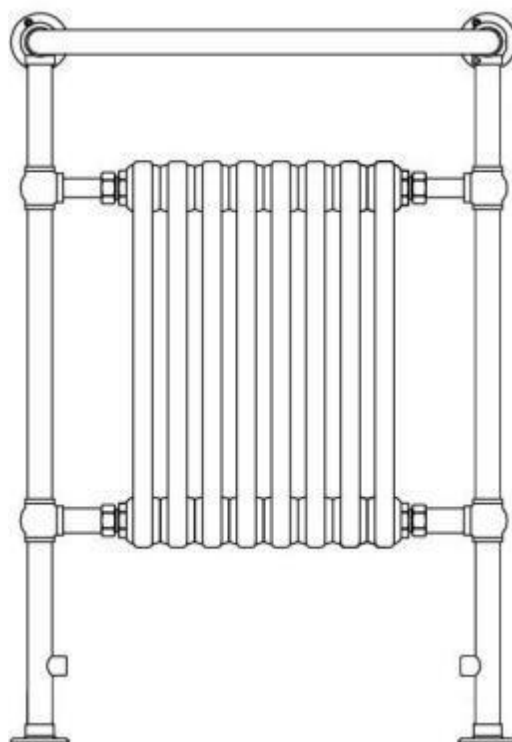
USER MANUAL



Thank you for choosing Better Bathrooms.
Please read this manual before installing your product
and keep for future reference.

better 
bathrooms

Regent Traditional Towel Radiator REGMB952 and REGBB1600



- **Single-person assembly**
- **Tools required**
- **We always recommend using professional tradespeople to install your product**

V2_02.08.23

Congratulations on your purchase

And welcome to our growing gang of savvy shoppers

We're on a mission to bring you extraordinary bathroom products, for less. From modern to traditional style ceramics, plus the gorgeous fixtures, fittings and furniture to match. So, you can fall in love with your space every single day.

As one of the UK's largest independent bathroom stores, we've received countless awards; including the National Business Awards UK, the Digital Entrepreneur Awards and being placed on The Sunday Times Fast Track 100.

We hope your new product goes above and beyond your expectations. However, should any problems occur, please:

- log in to your account and contact our customer services team via your self-serve portal – betterbathrooms.com/CustomerAccount/Login
- contact us via betterbathrooms.com/content/contact-us

Important information

- Please read these instructions thoroughly and retain for future reference
- Pressures should meet minimum stated on the website
- Pressures must be balanced for optimum performance
- Always check for pipes and cables before drilling

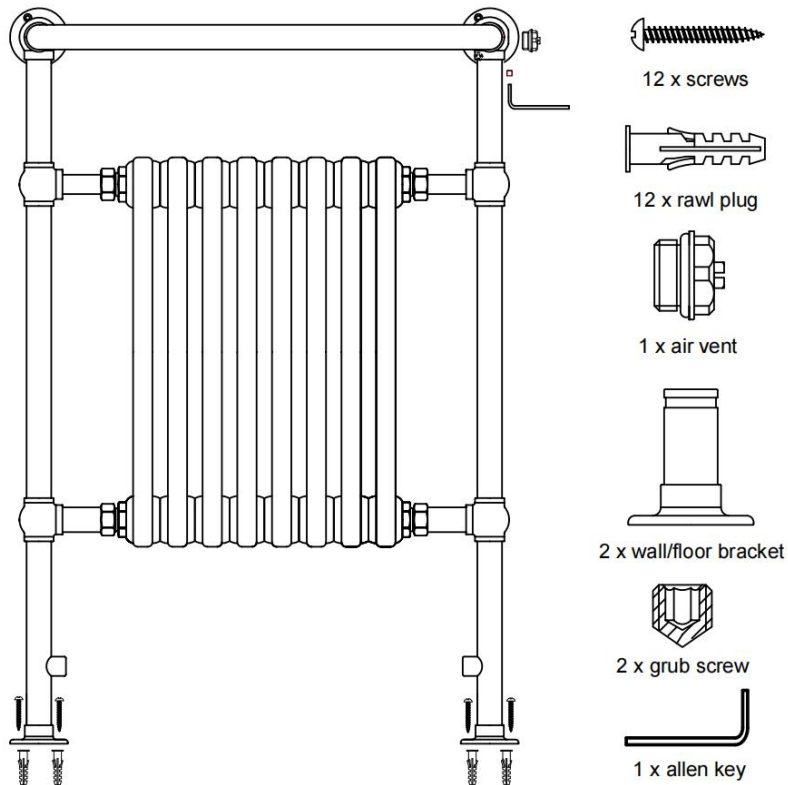
BTU & Wattage info-

REGMB952	1739	510
REGBB1600	3236	949

Contents

- 1 x radiator
- 12 x screws
- 12 x screw plug
- 1 x air vent
- 2 x wall bracket
- 2 x grub screw
- 1 x allen key

Parts



Please note that Parts are for illustrative purposes only and may differ slightly to the actual product

Tools required

Spanner

Flathead screwdriver

Philips screwdriver

Tape measure

Drill and 8mm drill bit

Spirit Level

Pencil

Sealing tape

Installation

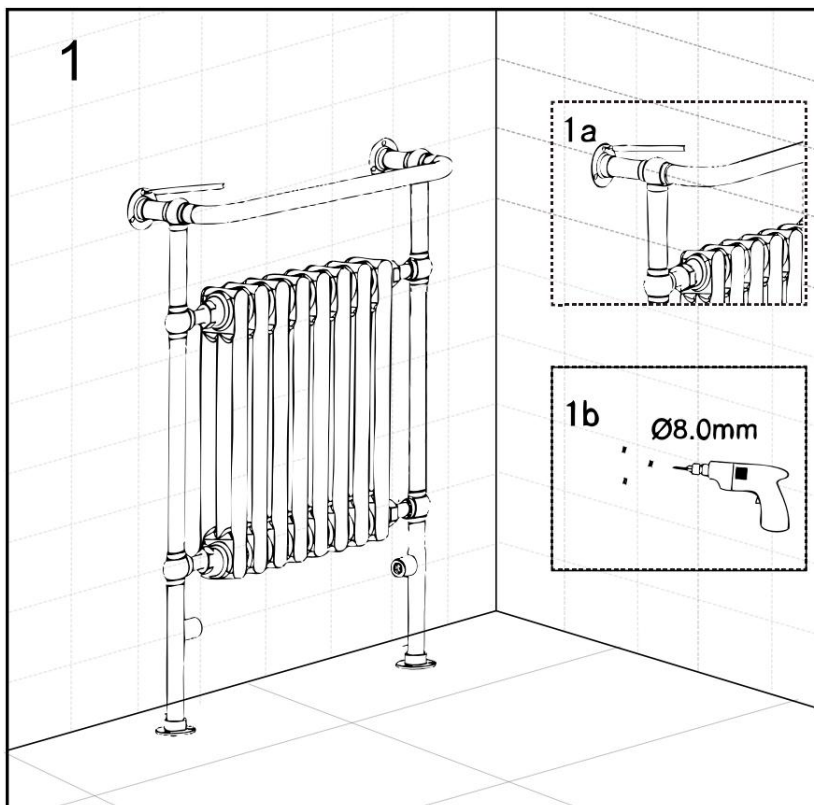
The system pipes must be flushed prior to installation.

Please note: Before starting any installation, turn off the water supply.

Please note: Before commencing any installation, the desired location should be checked before drilling, that no pipes or wires can be damaged.

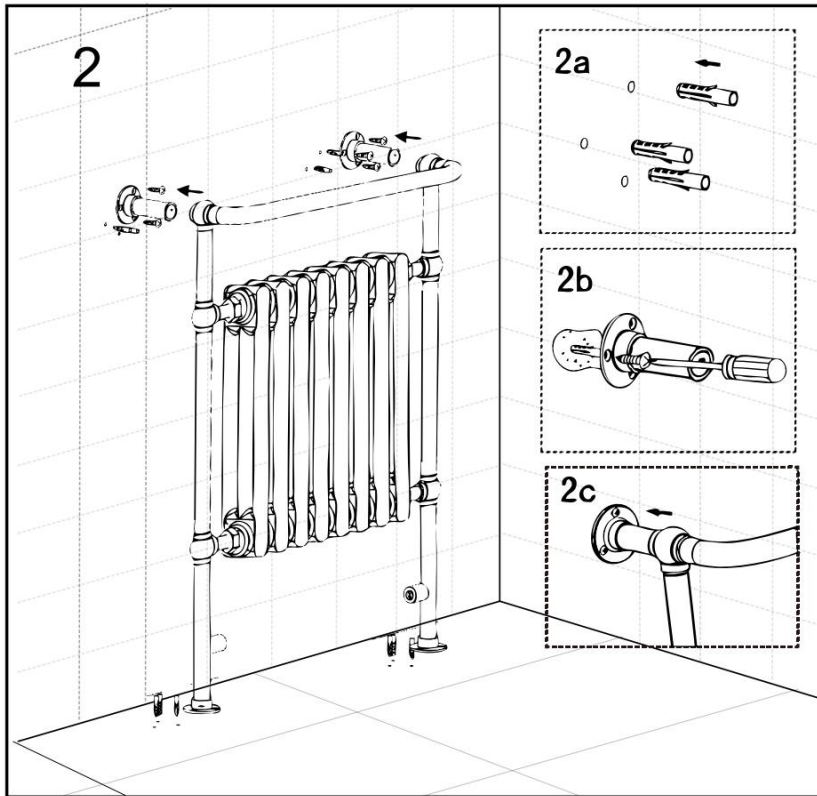
First, prepare the water supply pipes to match up with the towel radiator and valve dimensions being used. Fit the radiator valve tail and nut into the radiator (not supplied) (at both sides) and using sealing tape, tighten into position, then follow the installation below.

1. Mark the positions in the wall and floor brackets (on the wall) on either side (1a). Use a spirit level to ensure these are aligned then using a drill and 8mm drill bit, drill into the marked positions (1b).



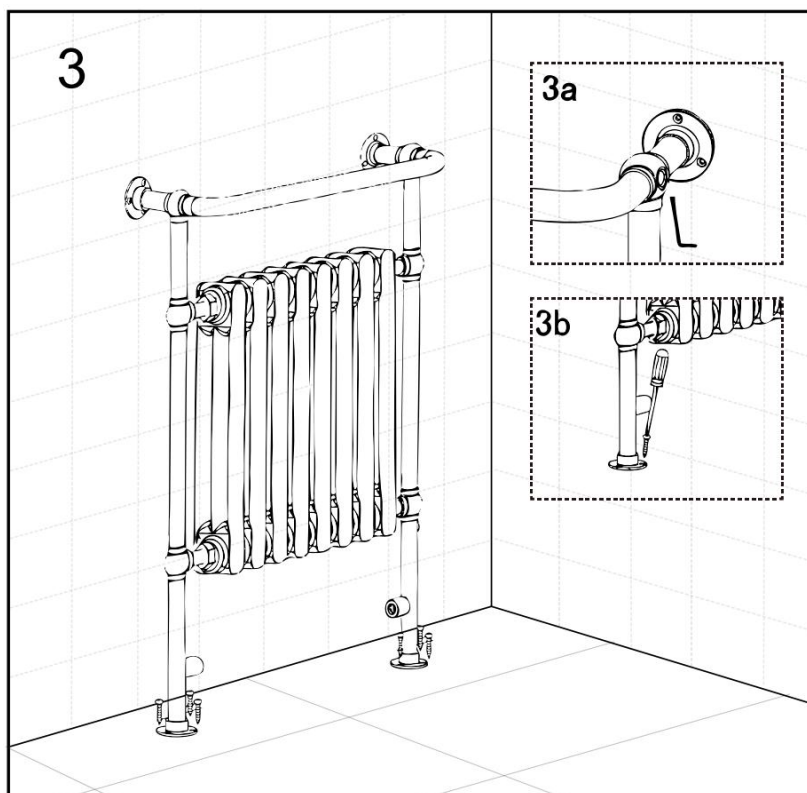
Please note: If drilling into tile, it is recommended to tape the wall to prevent the drill from slipping.

2. Insert all the wall plugs (2a) and tap flush to the finished wall surface. Next, position the wall brackets and screw into place using the screws provided (2b). Once the wall brackets are secure, push the radiator on until fixed firmly into place (2c).

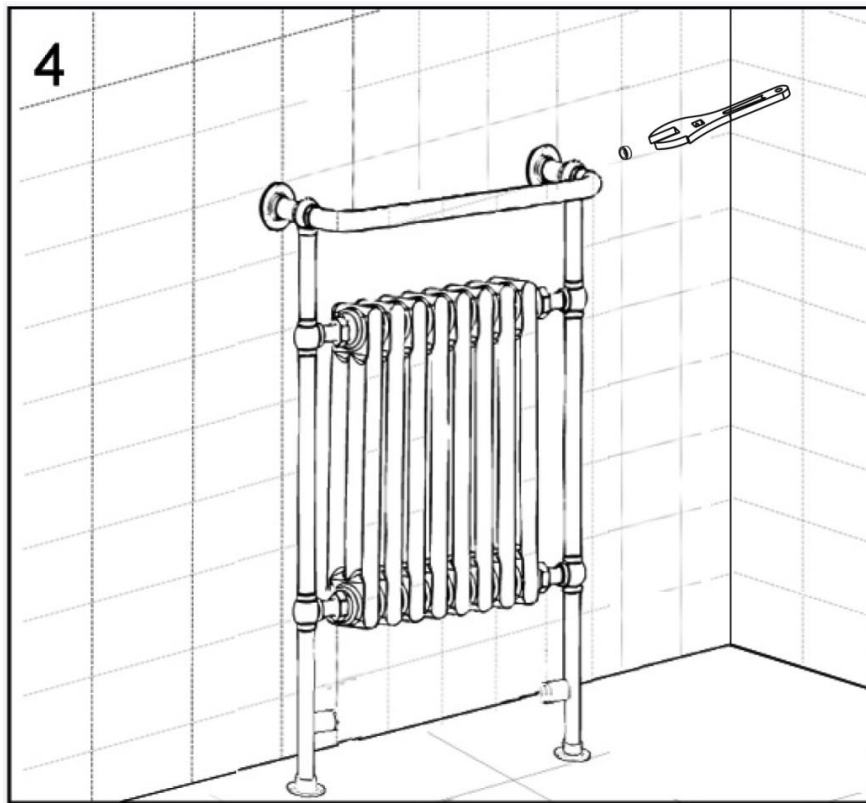


Please note: You may need two people to hang the radiator, depending on the model purchased.

3. Next, secure each wall bracket with the grub screws provided (3a) then finish securing the radiator by screwing down floor brackets using the screws provided (3b).



4. Insert the air vent in the top of the radiator, (add a little sealer tape to secure) and tighten, be sure not to overtighten then fit the radiator valves to the pipework and connect to the radiator valve tail and tighten all connections.

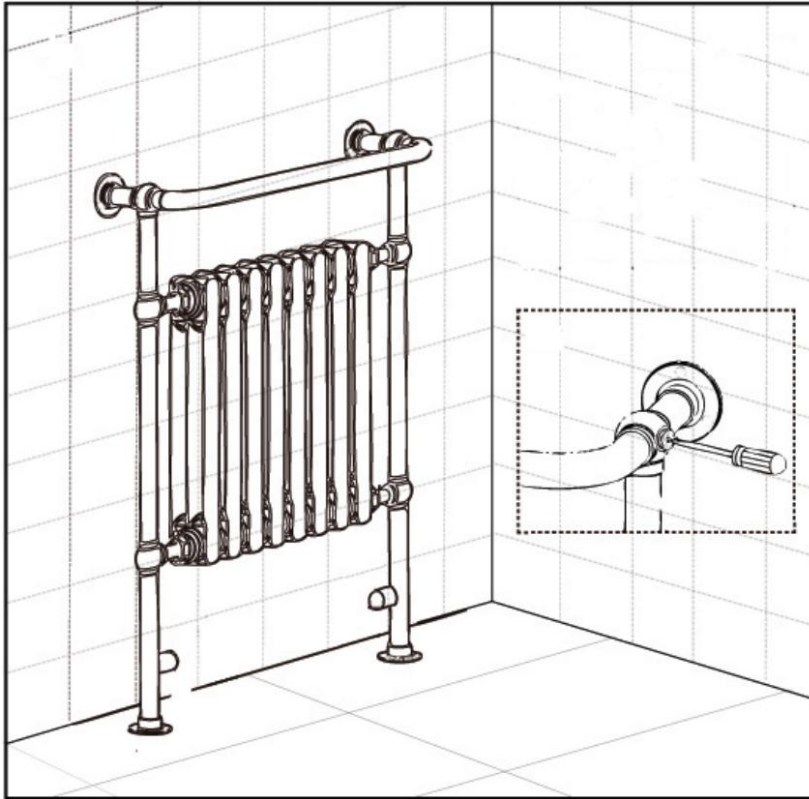


IMPORTANT! The product is supplied un-filled.

The radiator should be filled with a water (80%) and glycol (20%) mixture if **NOT** being connected to the central heating system, also allow 5% air gap.

After installation

- After the above installation, turn on the water supply and using the flathead screwdriver, open the air vent via the central screw, open the inlet valve and let the water rush into the radiator. Check all connections for leaks.



- Once water overflows from the air vent, this means that there will be no air bubbles present.
- Use a screwdriver to close the air vent and then the radiator is ready to use.

Cleaning

This radiator is made from steel with a plated finish. To maintain the surface of your product, wipe with a clean damp cloth and wipe dry.

Do not use abrasive cleaning agents or materials which can strip and scratch the surface; the use of these agents or materials can invalidate your guarantee.

It is recommended to wipe and dry on a regular basis.

For more information

- visit betterbathrooms.com
- email customerservices@buyitdirect.co.uk
- call 0330 390 3062
- write to Trident Business Park, Neptune Way, Huddersfield, HD2 1UA

**better
bathrooms**

Part of the BuyItDirect Group